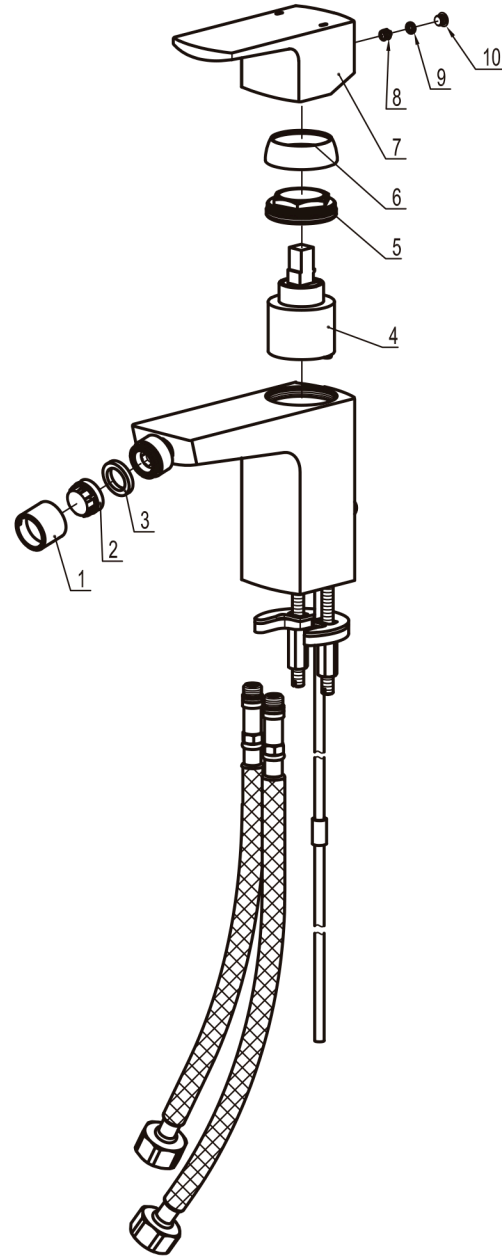




DIAGRAM NUMBER	DAX SKU	TITLE DESCRIPTION
1	FH TQ05-01B	Spout outer collar
2	FH TQ-06B	M22 Aerator
3	FH TQ05-02	Ø3/4"xØ1/2"x1/8" Washer
4		ø35 cartridge
5	FH DB-07A	Locknut
6	FH DB-08	Decorative ring
7	FH D53-01A	Handle
8	FH TJ-30504	M5x4 Internal Hex flat end locking screw
9	MF 0615	Ø3x1.5 "O" ring
10	FH D38A-02	Decoration cap



For parts or sale requirements please contact our customer service department:

 CS@daxib.com

 1 888 685 8236